

Fig. 1a

Jøtul F 162 / Jøtul F 163 / Jøtul F 162 C / Jøtul F 163 C

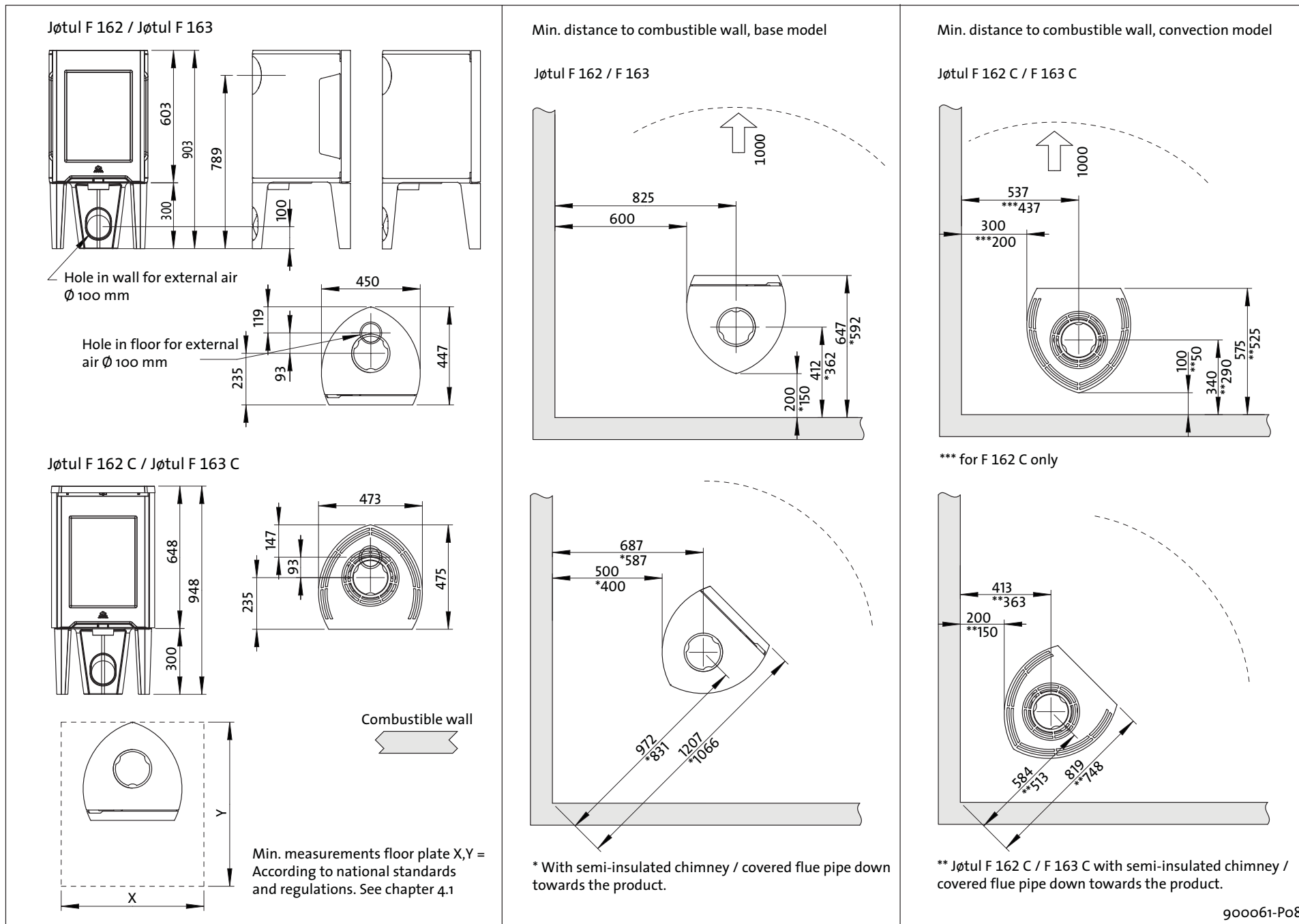


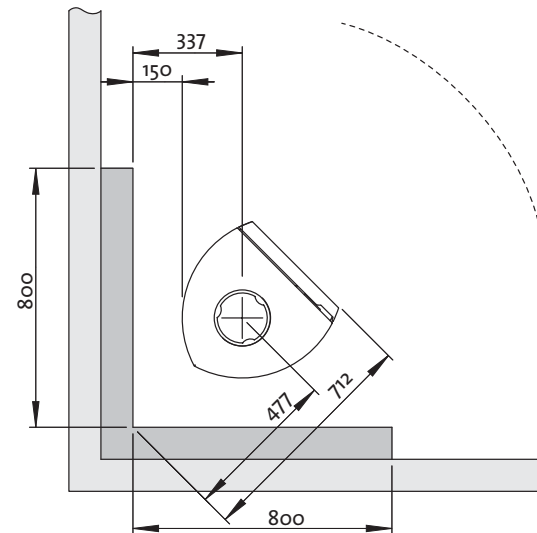
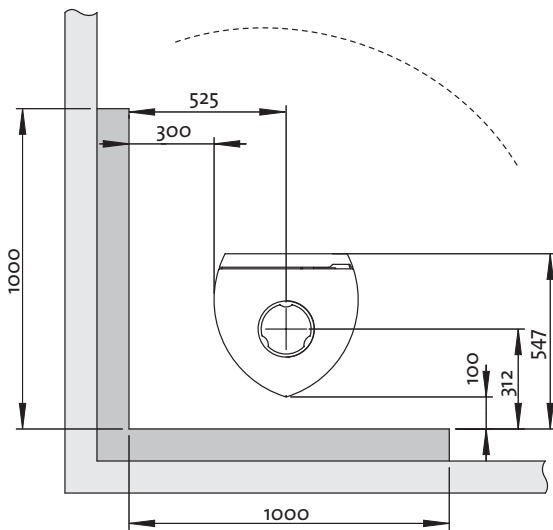
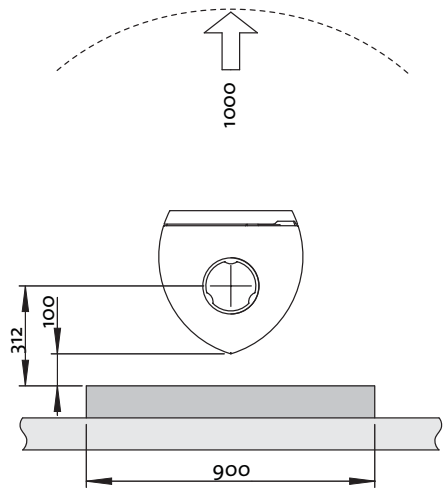
Fig. 1b

Jøtul F 162 / Jøtul F 163

Min. distance to combustible wall protected by firewall:

Combustible wall
Firewall

External



Integrated

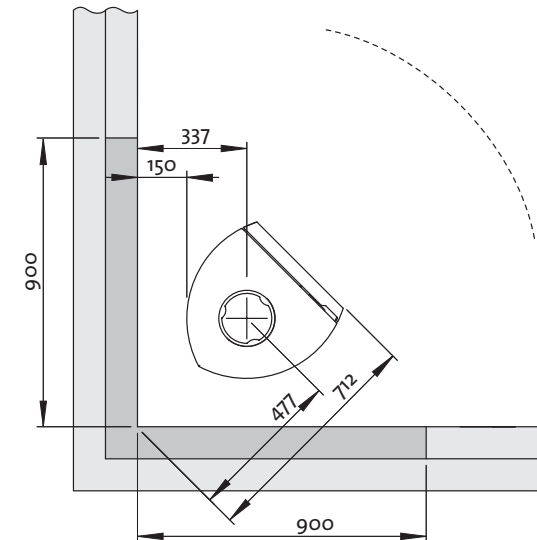
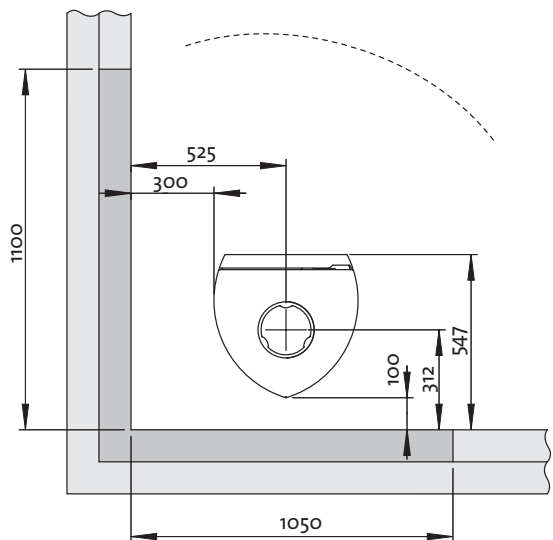
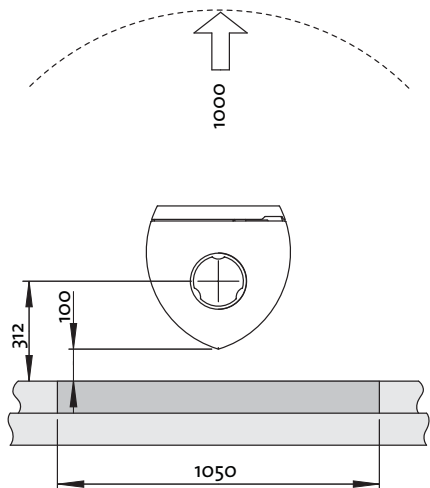


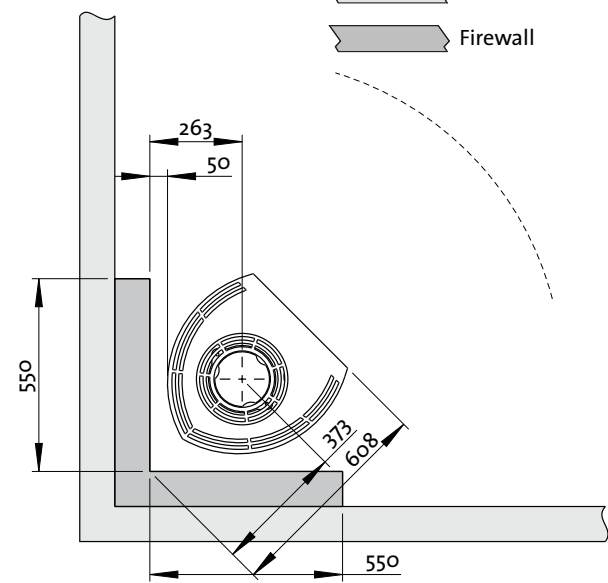
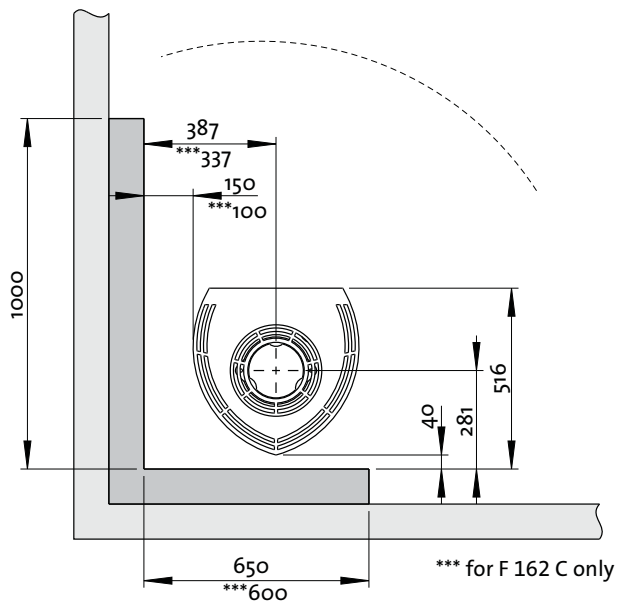
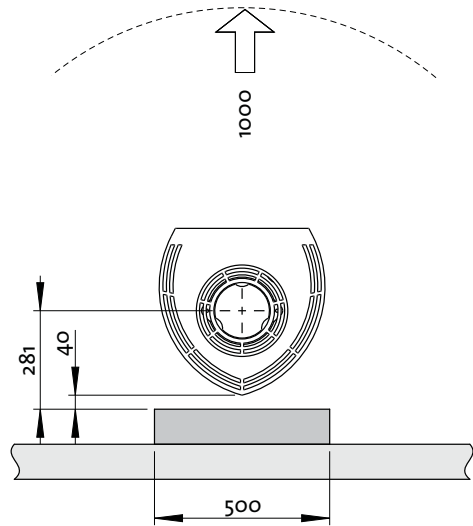
Fig. 1c

Jøtul F 162 C / Jøtul F 163 C

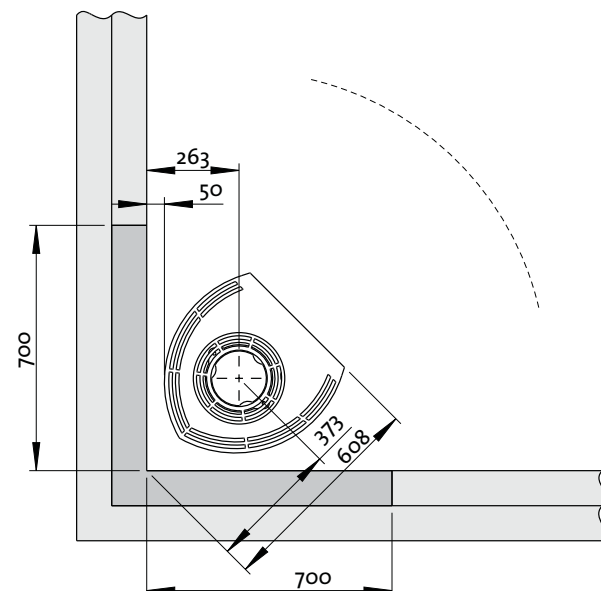
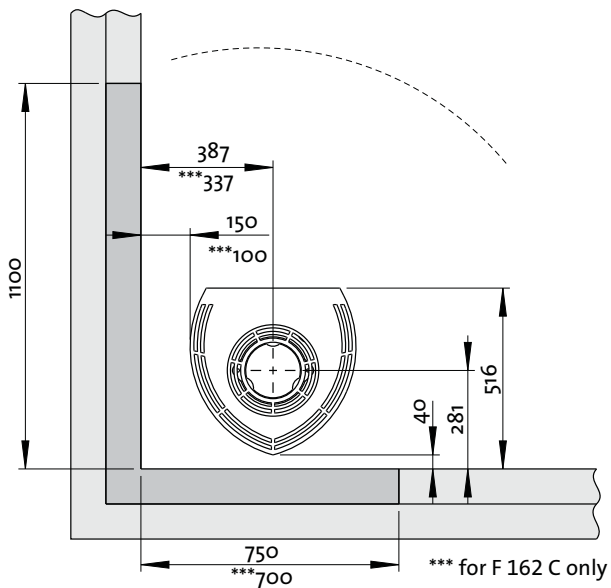
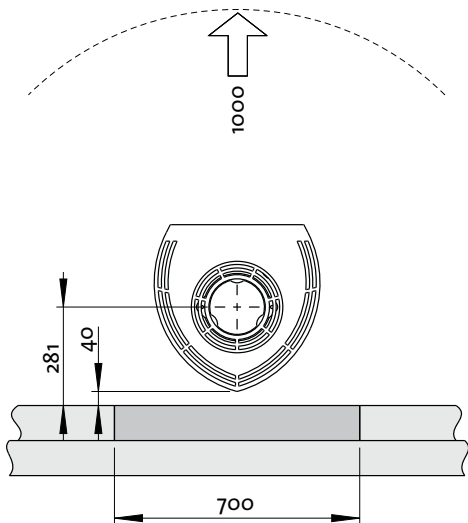
Min. distance to combustible wall protected by firewall:

 Combustible wall
 Firewall

External



Integrated



900061-Po8