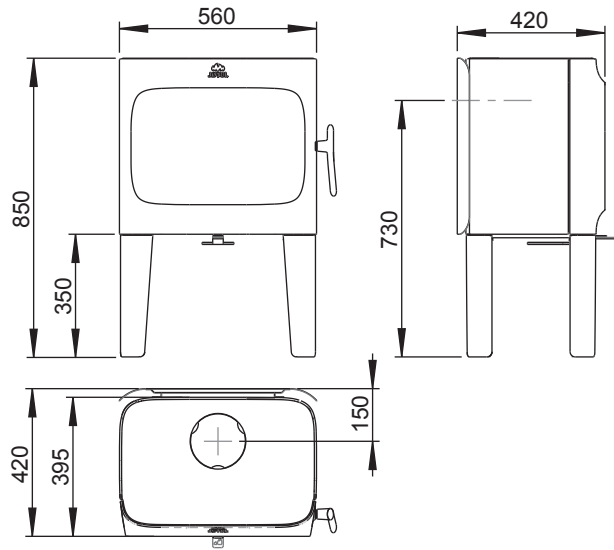
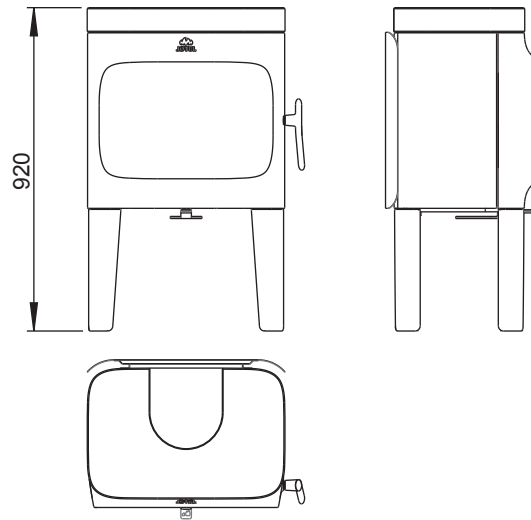


Jøtul F 305

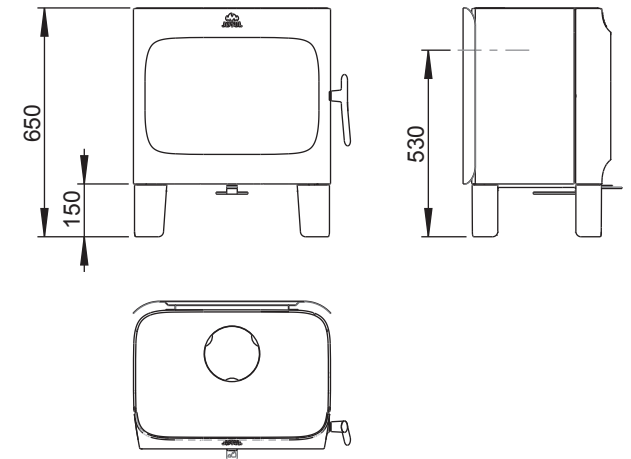
Jøtul F 305 with long legs



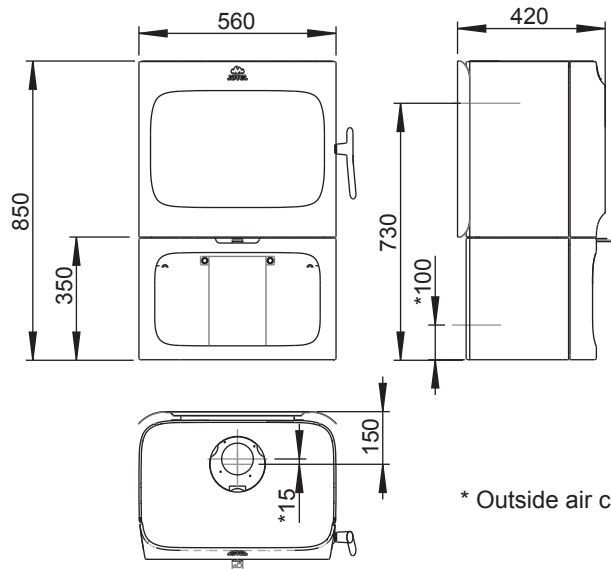
Jøtul F 305 with long legs and soapstone top



F 305 Short legs

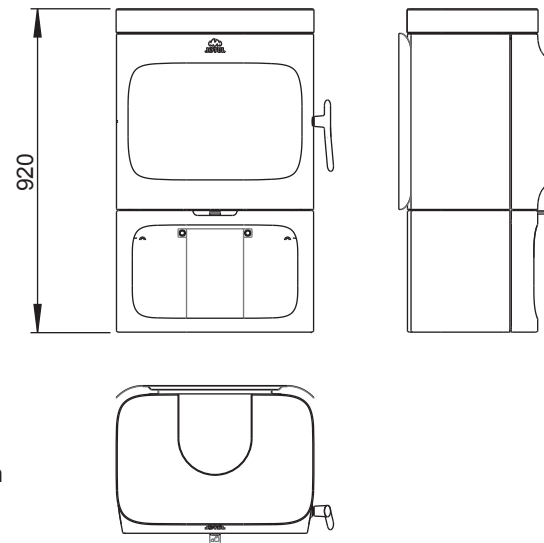


Jøtul F 305 with base

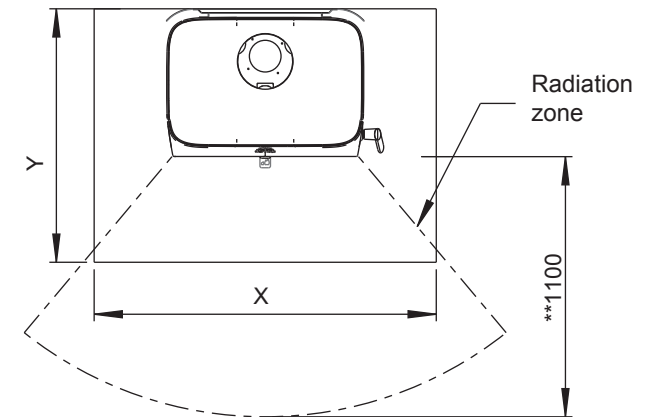


* Outside air connection

Jøtul F 305 with base and soapstone top



Floorplate



Min. measurements floorplate

X / Y = According to national laws and regulations

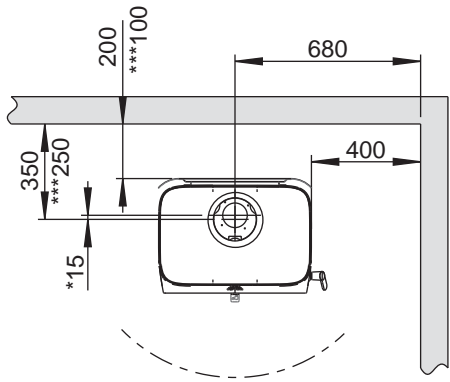
** Min. distance to furniture / combustible material

Min. distance to combustible wall

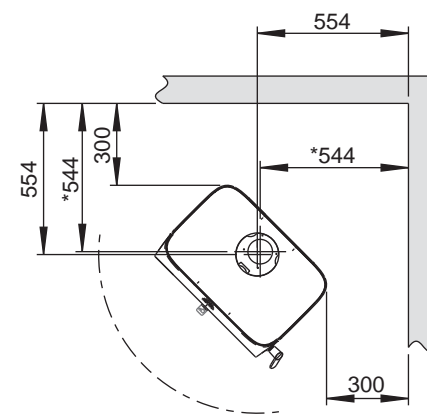
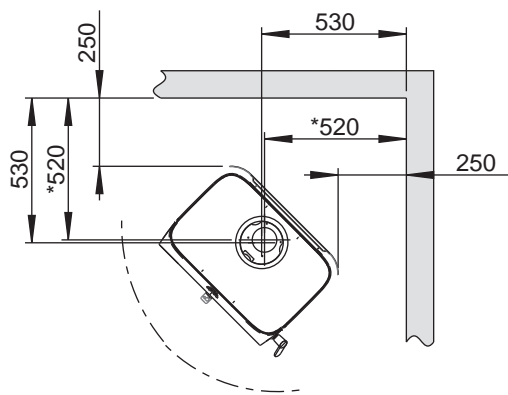
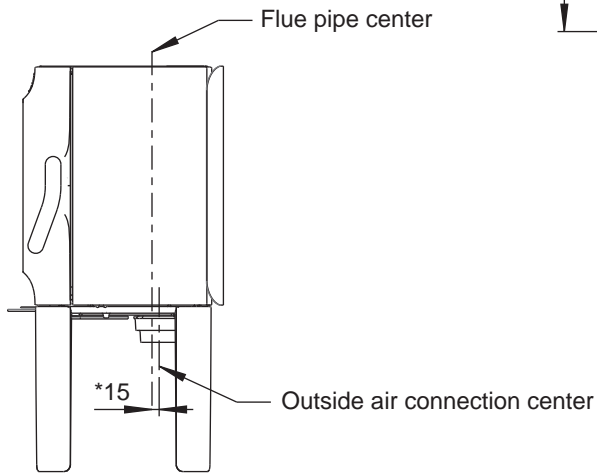
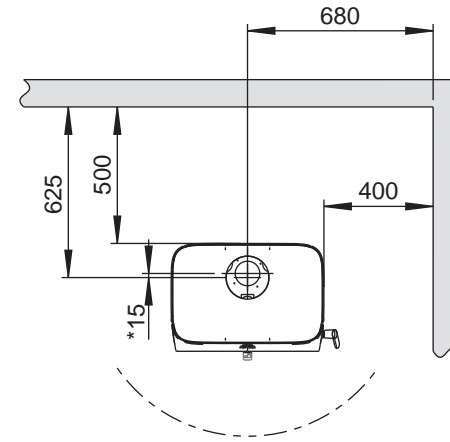
Combustible wall



With standard convection shield



Without standard convection shield



* Outside air connection

*** Distance to combustible wall with semi-insulated / shielded flue pipe.

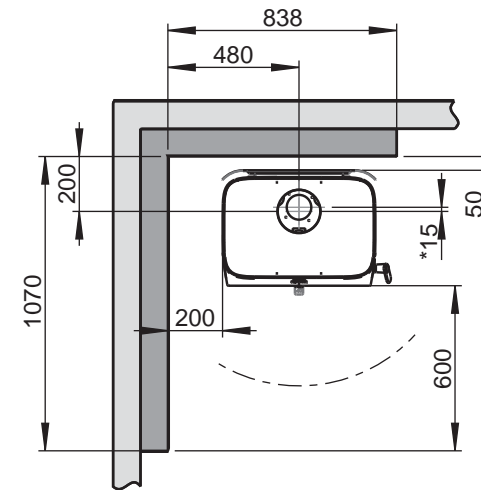
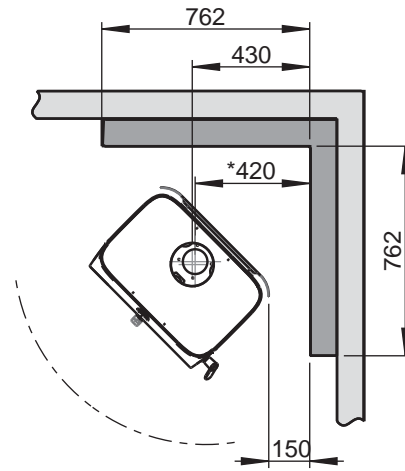
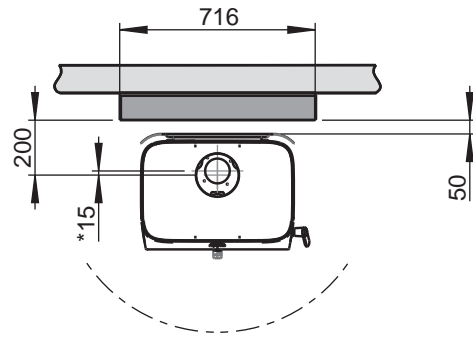
External

Min. distance to combustible wall protected by firewall

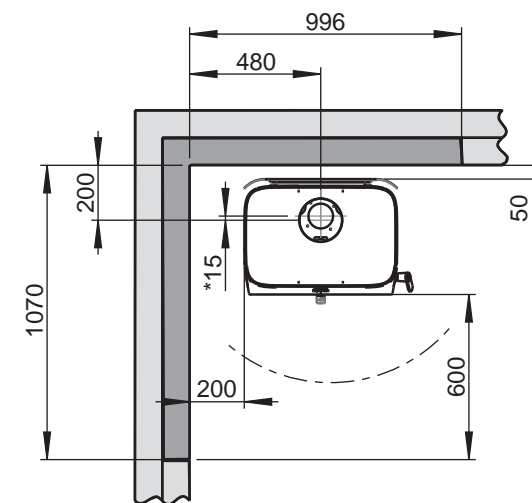
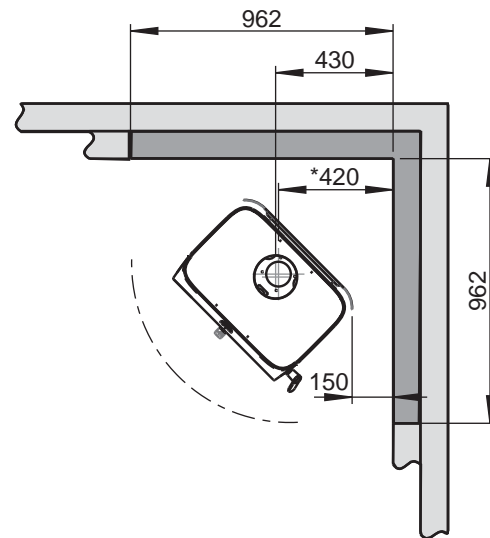
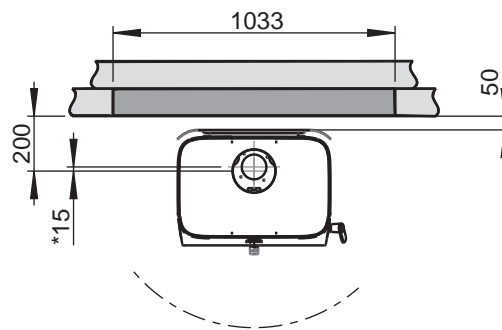
Combustible wall



Firewall



Integrated



* Outside air connection